

Cross linked Polyolefin Polymer suitable for low and medium voltage Indoor Installation and shrouding on telephone lines, power lines and conditioning ducts etc.



## DMSR Heat Shrinkable Medium Wall Tubing

- Suitable for a variety of low voltage electrical and mechanical applications
- Suitable for underground buried conditions
- Continuous operation temperature: -40°C to 125°C
- Meets the requirements of ESI 09 13
- Shrink Temperature: 120°C
- Unlimited shelf life
- High resistance to impact and abrasion
- Adhesive lined also available.

**38**  
Years of  
Experience

**34**  
Countries  
Global  
Presence

**200**  
Plus Skilled  
Manpower

**4**  
World Class  
Manufacturing  
Facilities

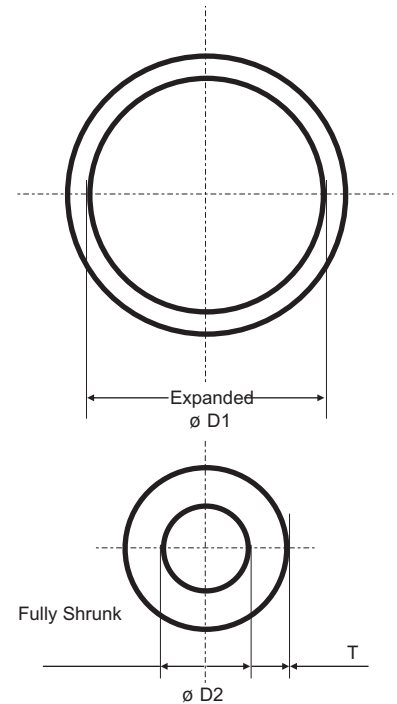
**50**  
Internationally  
Approved  
Products

**DENSONS** Heat Shrinkable Terminations and Straight Joints offer unsurpassed technical superiority. Using state-of-the-art manufacturing technology. Densons High Voltage products provide maximum protection against Tracking, Corona Discharge and Dielectric Stresses. Densons High Voltage Products are easily adaptable to cover a broad range of cable sizes, and conforming to various Internationally accepted standards such as **IS, VDE, IEC, IEEE**.

**Dimension Chart for Medium Wall Tubing**

Code	As Supplied		After Recovered
	ø D1 (max.)	ø D2 (max.)	T(min.)
DMSR - 15/6	15	6	2.2
DMSR - 25/8	25	8	2.5
DMSR - 36/12	36	12	2.5
DMSR - 50/16	50	16	2.5
DMSR - 63/19	63	19	2.5
DMSR - 75/22	75	22	2.5
DMSR - 95/25	95	25	3.0
DMSR - 115/34	115	34	3.0
DMSR - 140/42	140	42	3.0
DMSR - 160/50	160	50	3.0
DMSR - 180/60	180	60	3.5

Note: All Dimensions are in mm



**Technical Data:**

Property	Requirements	Test Method
<b>Physical</b>		
Specific Gravity	1.10	ASTM D 1505 / ISO 1183
Tensile Strength	8 N/mm <sup>2</sup> (min.)	ASTM D 412 / ISO 37
Ultimate elongation	200% (min.)	ASTM D 412 / ISO 37
Water absorption (25°C)	0.5% (max.)	ASTM D 570
<b>Thermal Ageing</b>		
Continuous operating temperature	-55°C to +130°C	IEC 216
Shrink temperature	120°C (min.)	IEC 216
Heat shock (30 min. 200°C)	No cracking / No flowing	
Heat ageing (168 hrs 120°C)		
Tensile strength	7.0 N/mm <sup>2</sup> (min.)	ASTM D 412 / ISO 37
Ultimate elongation	200% (min.)	
Low temperature flexibility (-20°C)	No cracking	ASTM D 2671
<b>Electrical Properties</b>		
Dielectric strength	10 kV/mm (min.)	ASTM D 149 / IEC 243
Volume resistivity	1 x 10 <sup>12</sup> ohm-cm (min.)	ASTM D 257 / IEC 93
Dielectric constant	2 (min.) To 5 (max.)	ASTM D 150 / IEC 250