

Cross linked Polyolefin Medium and Heavy Wall Anti-track Heat Shrinkable Tubing specifically designed for insulating medium voltage bus bar



## DSRU Heat Shrinkable Anti Tracking Tubing



- Reduces bus bar clearance requirements
- Protects against accidental flashover
- Continuous operation temperature: -40°C to 125°C
- Halogen free
- Shrink Temperature: 120°C
- Anti-track
- Suitable for medium voltage switchgear applications upto 36 kV

**38**  
Years of  
Experience

**34**  
Countries  
Global  
Presence

**200**  
Plus Skilled  
Manpower

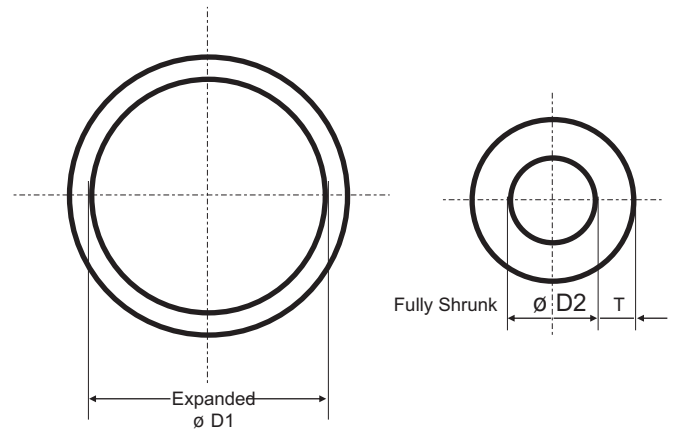
**4**  
World Class  
Manufacturing  
Facilities

**50**  
Internationally  
Approved  
Products

**DENSONS** Heat Shrinkable Terminations and Straight Joints offer unsurpassed technical superiority. Using state-of-the-art manufacturing technology. Densons High Voltage products provide maximum protection against Tracking. Corona Discharge and Dielectric Stresses. Densons High Voltage Products are easily adaptable to cover a broad range of cable sizes, and conforming to various Internationally accepted standards such as **IS, VDE, IEC, IEEE**.

**Dimension Chart for Anti Tracking Tubing**

Code	As Supplied		After Recovered
	ø D1 (max.)	ø D2 (max.)	T (min.)
DSRU - 36/12	36	12	3.0
DSRU - 42/19	42	19	3.0
DSRU - 60/29	60	29	3.0
DSRU - 76/38	76	38	3.0
DSRU - 100/49	100	49	3.0
DSRU - 130/50	130	50	4.0



**Technical Data: Non-Tracking Tubing (Red / Brown)**

Property	Requirements	Test Method
<b>Physical</b>		
Specific gravity	1.19	ASTM D 1505/ ISO 1183
Tensile Strength	8 N/mm <sup>2</sup> (min.)	ASTM D 412 / ISO 37
Ultimate elongation	200% (min.)	ASTM D 412 / ISO 37
Water absorption (25°C)	0.5% (max.)	ASTM D 570
<b>Thermal Ageing</b>		
Continuous operating temperature	-55° C to +130° C	IEC 216
Shrink temperature	120° C (min.)	IEC 216
Heat shock (30 min. 200°C)	No cracking / No flowing	
Heat ageing (168 hrs. 120°C)		
Tensile strength	7.0 N/mm <sup>2</sup> (min.)	ASTM D 412 / ISO 37
Ultimate elongation	200% (min.)	
Low temperature flexibility (-20°C)	No cracking	ASTM D 2671
Flammability	Self extinguishing	ASTM D 2671 - B
<b>Electrical Properties</b>		
Dielectric strength	10 kV/mm (min.)	ASTM D 149 / IEC 243
Volume resistivity	1 x 10 <sup>12</sup> ohm-cm (min.)	ASTM D 257 / IEC 93
Dielectric constant	3 (min.) To 5 (max.)	ASTM D 150 / IEC 250
Tracking erosion resistance	No tracking or erosion up to 3.25 kV	ASTM D 2303